

**SHOPLINE SURVEY**

Invoice No

Page

of

**21st CENTURY**

Customer

Address

County

Post Code

Goods £

VAT £

Total £

Tel No

Contact

Order Date

Fax No

Job Ref

Order Req

**Door**

- Open In [ ]
- Open Out [ ]
- Full Swing [ ]

**Outside View Only**

Production Code

**A**

Overall sizes to include the cill (transom, mullion and midrail sizes are excluding the cill)

**Master Leaf**

- Left [ ]
- Right [ ]

**Extrusion Colour**

**Finish**

- White Gloss (Std) [ ] Single Colour [ ] Gloss [ ] Satin [ ]
- Silver Anodised [ ] Dual Colour [ ] Matt [ ]
- RAL / BS

**Customer Signature**

**Hooklock**

- None [ ]
- Full [ ]
- Half (Inside) [ ]
- Thumb Turn [ ]

**Item**

**Qty**

**Frame Width**

**Location**

**Frame Height**

**Door Width**

**Transom Drop**

**Midrail Height**

**Mullion Split**

**Electric Strike**

- 12 Volt [ ] 24 Volt [ ]
- AC [ ] DC [ ]
- Fail Safe [ ] Fail Secure [ ]

**Supplied with internal thumb turn & external key override**

**Overhead Closer**

- Hold Open [ ]
- Non-Hold Open [ ]

**Handle**

- Pad [ ]
- 250mm 'D' Handle [ ]
- 350mm 'D' Handle [ ]
- Other (see notes) [ ]

All items are supplied to a maximum wind loading of 800 PA unless the location is provided

**Notes**

**Wind Loading**

**Post Code**

**Distance to Sea**

- 0 - 6.5 Miles [ ]
- 6.5 - 32 Miles [ ]
- 32 + Miles [ ]

**Location**

- Sheltered [ ]
- Exposed [ ]

**Building Height**

- 0 - 3 Metres [ ]
- 3 - 6 Metres [ ]
- 6 - 10 Metres [ ]
- 10 - 15 Metres [ ]

**Altitude**

**Handle Colour**

- White [ ]
- Silver Anodised [ ]
- Black [ ]
- Powder Coated [ ]

**Cill**

- None [ ]
- SH057 152mm [ ]

**Threshold**

- Single Ramp [ ]
- Double Ramp [ ]

**Glazing**

- Single Glazed [ ]
- Double Glazed [ ]

**Glass**

- Triplshield [ ]
- Pilkington 'K' [ ]
- Laminated [ ]

**Spacer Bar Colour**

- Silver [ ]
- Black Warm Edge [ ]
- Bronze [ ]
- Gold [ ]

**Standard Spec.**

- RAL 9910 Powder Coating.
- Pad Handles
- Double Ramp Threshold
- Euro Cylinder Single Hook Lock
- Beaded for 24mm Double Glazed Units
- Anti-Finger Trap Hinge Stiles
- Hold Open Overhead Closer

**IMPORTANT INFORMATION / DELIVERY DATES**

Delivery lead times are from the date we receive a signed off order. It may be possible to make amendments thereafter but this will usually result in an extended lead time and may also affect the price.

Aluminium is not like PVCu because stock is not generally held by the fabricator. This, combined with powder coating lead times means manufacturing lead times are longer. If faulty materials are delivered to us or materials are not available from our suppliers, this can delay delivery to the trade customer and we advise that your customer is made aware of this possibility at the outset. Should we become aware of any potential delay in the supply of your order, we will advise you in writing at the earliest opportunity.

**On this basis, the delivery lead times quoted are estimated and should not be deemed definite. We advise you not to schedule any installation until you have received and checked the goods. At the very least, please telephone us to check that your order is ready *before* arranging to install. We are not liable for any costs or penalties incurred arising from any delay to the anticipated delivery date**

**We would respectfully advise that as this is a supply only contract it is your responsibility to ensure that all sizes, specifications and products are correct and suitable for the situation in which they will be used.**

The end user should be made aware of cleaning and maintenance requirements. In areas within the direct influence zones of salt water, industrial chemical plants, blast furnaces or other aggressive emission sources, the window should be cleaned at least every three months. In a relatively cleaner environment every six months should be sufficient. For full details please refer to the cleaning and maintenance manual available for download at [www.smartsystems.co.uk](http://www.smartsystems.co.uk)

All orders are subject to our terms and conditions of sale which are available on our website.

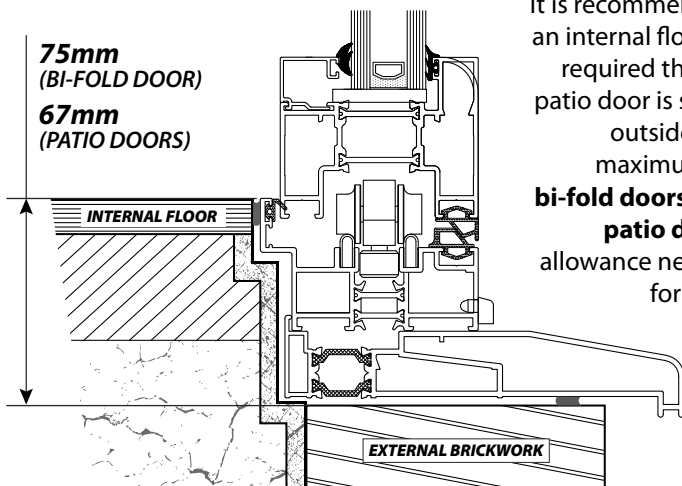
Please sign, date and return this page with your signed off order.

Customer \_\_\_\_\_ Job Ref. \_\_\_\_\_

Signed \_\_\_\_\_ Date \_\_\_\_\_

**LOW THRESHOLD INFORMATION**

A low threshold can be specified for bi-fold doors but is only recommended for internal use. Where it is used in an external situation no warranties are given for draught-proofing or weather performance.



It is recommended that when an internal floor flush finish is required that the bi-fold or patio door is set lower on the outside brickwork to a maximum of **75mm for bi-fold doors** and **67mm for patio doors**. Note that allowance needs to be made for floor coverings.

**KIT FORM OR FULLY ASSEMBLED**

**BI-FOLD DOORS**

If size exceeds **4000mm** in any direction, or **2400mm** in both directions, then it can only be delivered in **KIT FORM**

**Reasons:**

Vehicle size restrictions, Weight, Size - larger bifolds are prone to twisting on loading, unloading and any movement thereafter

**PATIO DOORS**

Any patio that is **3 Panels or over 2400mm** can only be delivered in **KIT FORM**

**Reasons:**

Weight - Patios weigh more than Bi-folds, Size - larger patios are prone to being twisted on loading, unloading and any movement thereafter. This can result in sashes rubbing against the outer frame and damaging a powder coating.