

UPVC FLUSH CASEMENT WINDOWS & DOORS

**CROSS SECTION DRAWINGS, DESIGN
DETAILS AND SPECIFICATIONS**

**NEW! SLIMMER SASH PROFILE & SLIMMER
ASTRAL GAL BAR *VERSION 5.3 (February 2025)***



TIMBERLOOK
FLUSH SASH
— HERITAGE WINDOWS —

A DESIGN GUIDE FOR SPECIFIERS AND CONSERVATION OFFICERS

www.timberlook.com

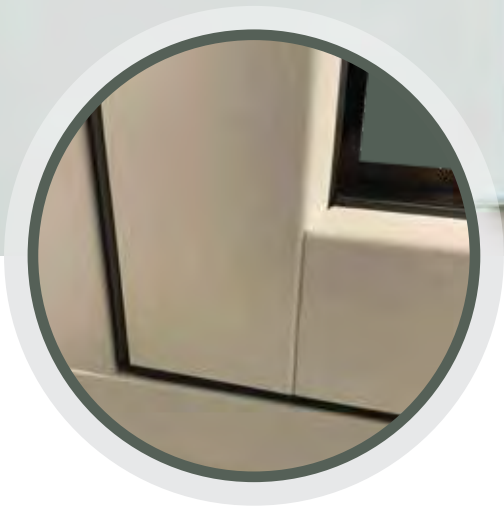
The *Timberlook Design Guide* is intended for use by conservation officers and specifiers, but it contains cross-section drawings and technical information that will help designers and buyers to better understand the dimensions and details that create the Heritage Flush Sash Window.



Timberlook windows have been specifically designed with a slimmer sash profile to accurately mimic heritage timber frame sections. It features a traditional chamfer on the outside, with a fully sculptured ovolo detail internally.

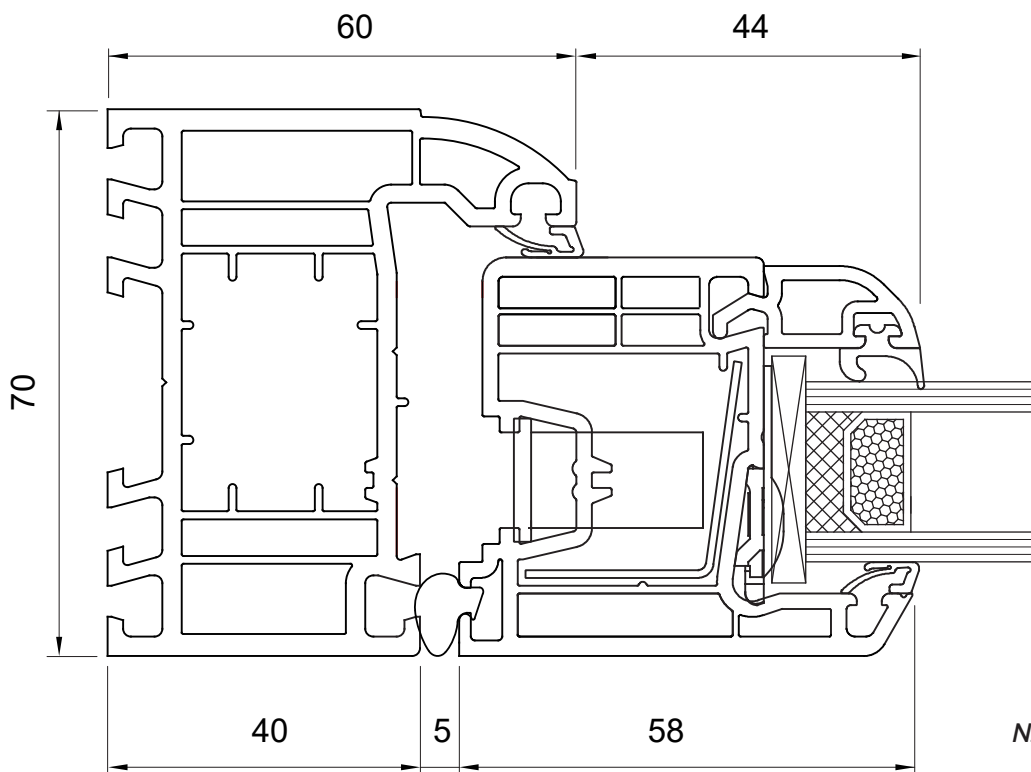
Great care has been taken in choosing authentic ancillaries, including slimmer external astragal glazing bars, an optional deeper bottom sash rail, and an optional deeper cill design (*The Radlington*) which copies the style of a timber 'block' cill.

All window frames are mechanically joined with a 'butt-joint' appearance on the sash, transoms, mullions, and outer-frame. This mortise and tenon style detail finalises the Heritage Flush Sash, creating an aesthetic that is as close to a traditional timber window frame as possible.



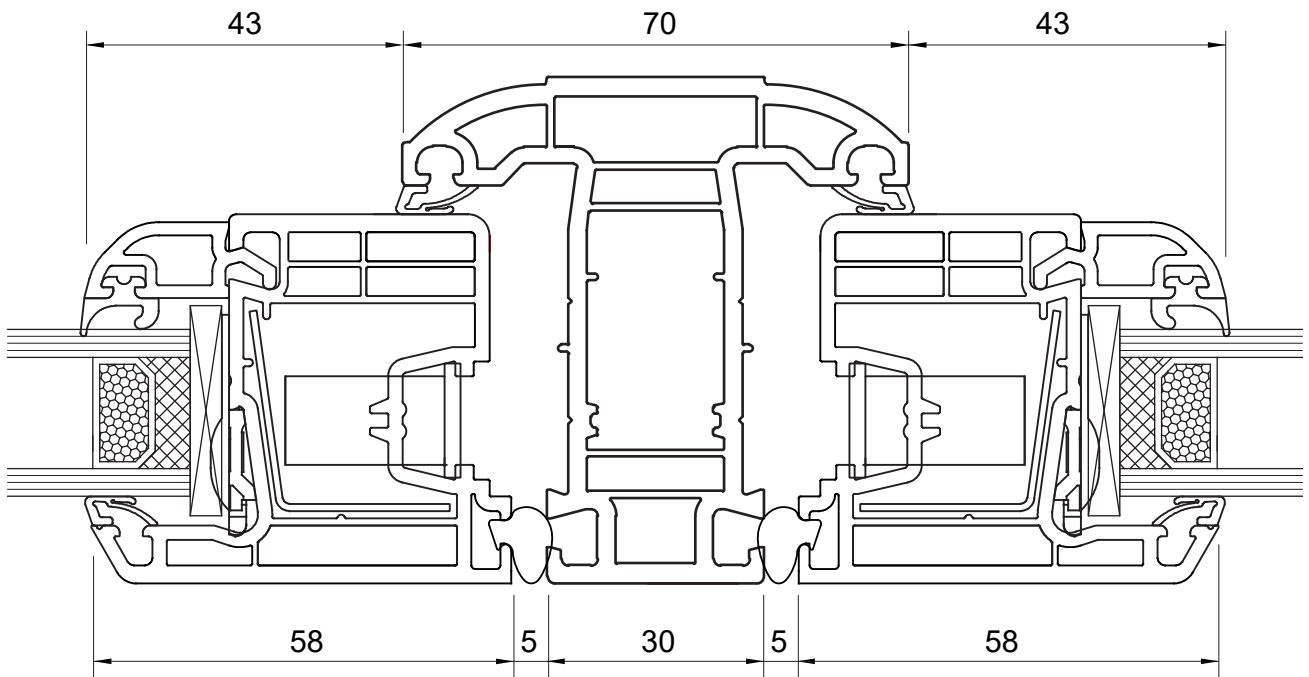
OPENING SASH AND OUTER FRAME

Applies to head, cill and both sides



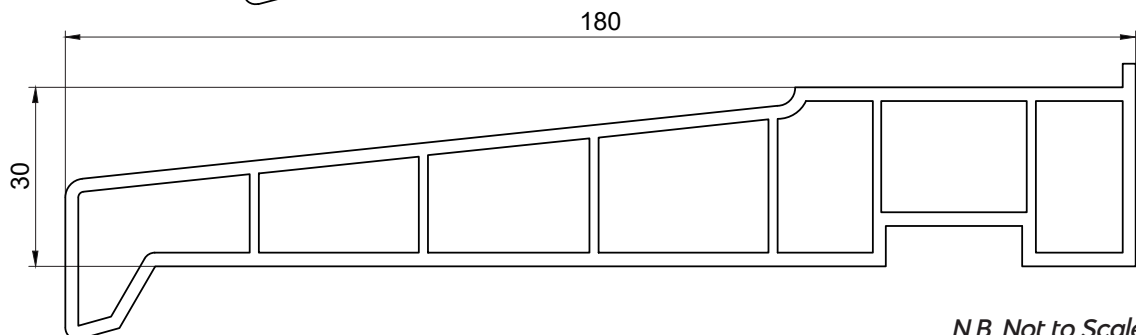
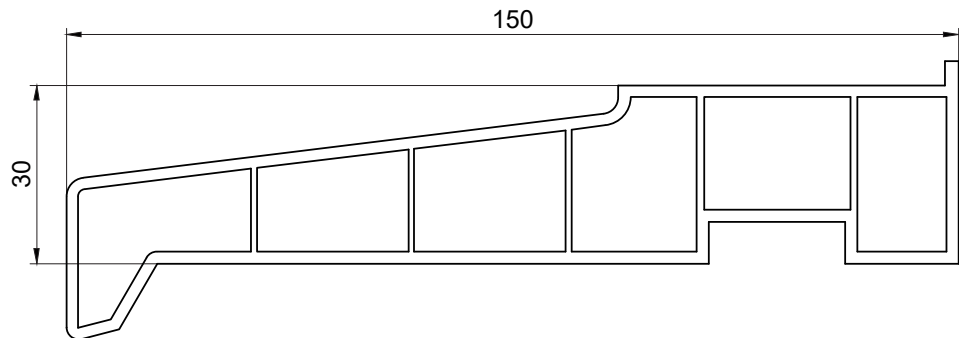
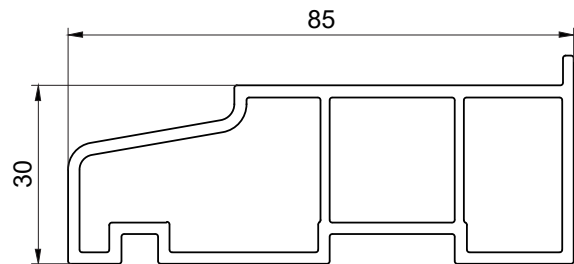
N.B. Not to Scale

TRANSOM AND MULLION



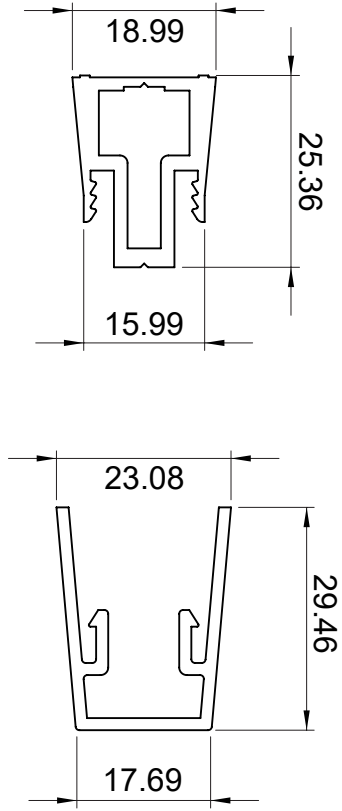
EXTERNAL CILLS

- *STUB 85MM*
- *150MM*
- *180MM*

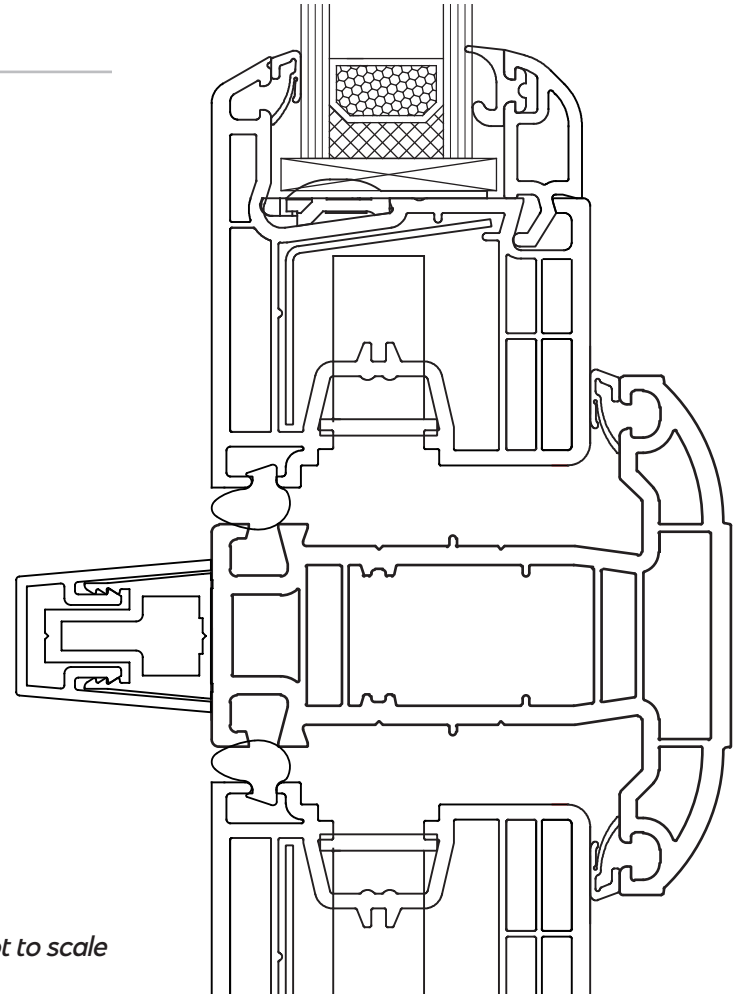


N.B. Not to Scale

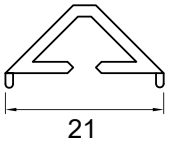
TRANSOM WEATHER BAR



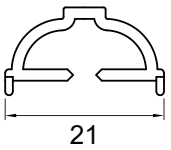
N.B. Not to scale



GLAZING / ASTRAGAL BAR DETAIL



21mm External Glazing Bar
Chamfered Georgian Style



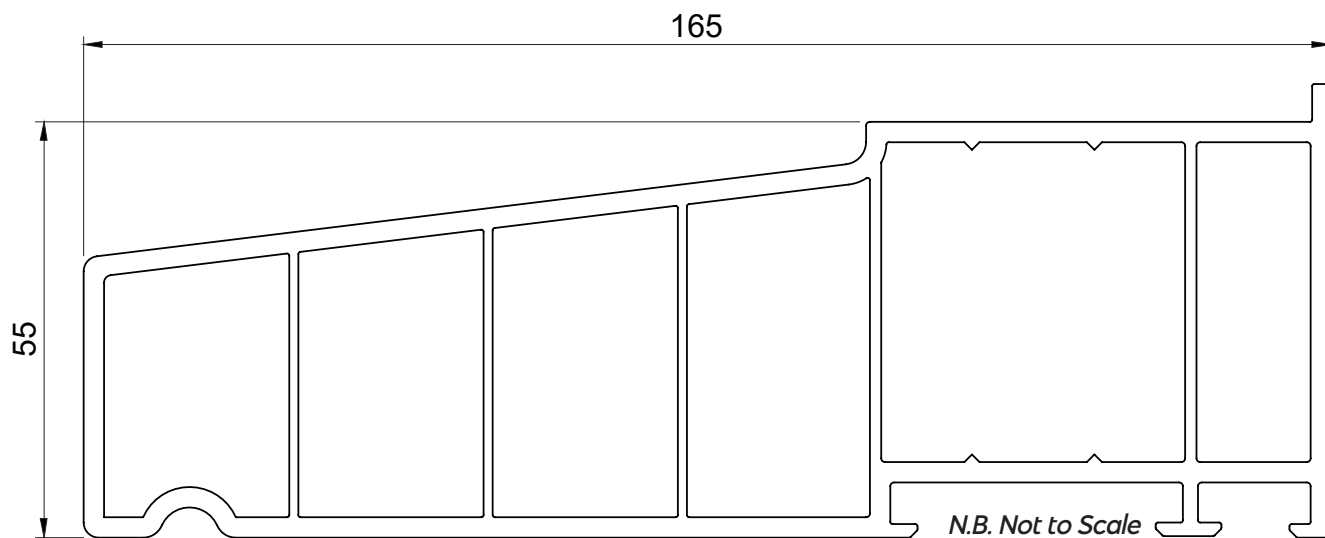
21mm Internal Glazing Bar
Matches Internal Frame Detail



THE RADLINGTON CILL

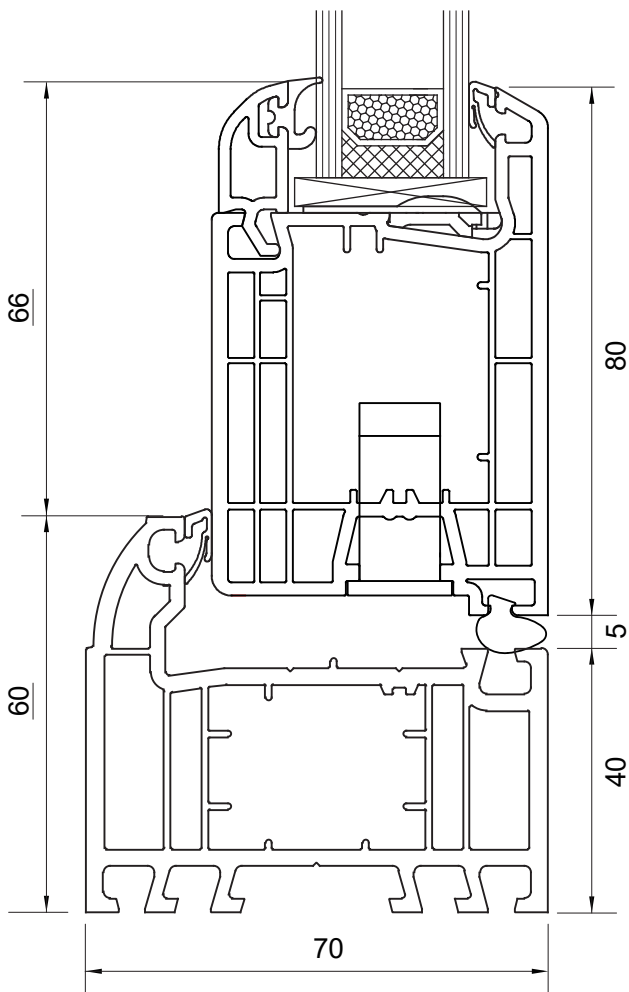
(Optional Addition)

The Radlington Cill is a modern interpretation of the timber cills found on older wooden windows. It is a deeper nosed cill with a height of 55mm and represents a superior aesthetic upgrade over standard cill options. It is an optional extra and The Radlington must be specified when seeking a project estimate.



DEEP BOTTOM RAIL

(Optional Addition)



N.B. Not to Scale



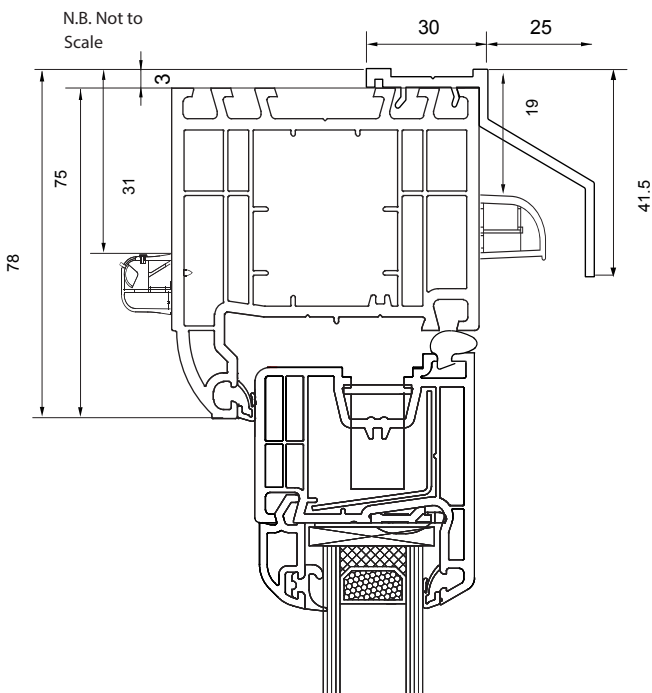
CONCEALED TRICKLE VENTILATION

For projects requiring trickle ventilation, you can enhance the window's overall appearance by fitting an additional 3mm head drip above the outer frame to conceal the external vents.



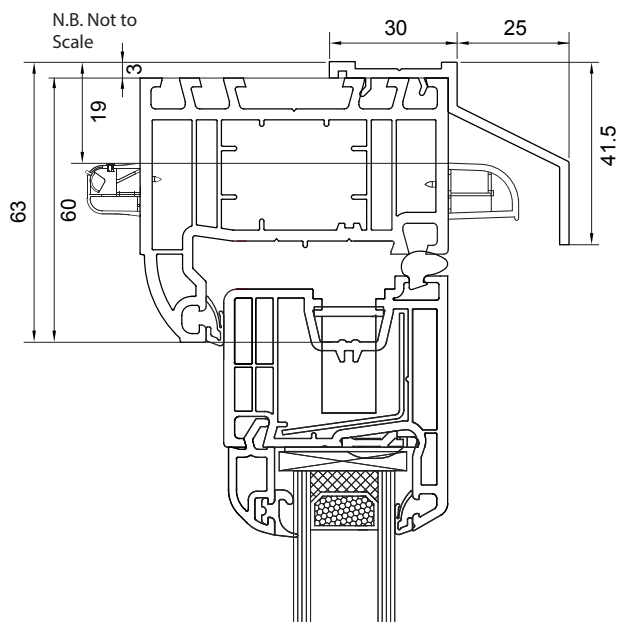
LARGE HEAD

The 75mm large outerframe allows for internal routing at 31mm from the top of the head drip to avoid plaster lines, while keeping the external vent concealed at 19mm for a discreet appearance.



SMALL HEAD

Where plaster lines are not a concern, a standard 60mm outerframe provides level routing both externally and internally, 19mm from the top of the head drip.



FLUSH FRENCH DOORS

Timberlook flush sash doors can help you sympathetically renovate and restore buildings with charm and character. They are also an excellent way to add traditional style to contemporary and new build homes.

The manufacture of the Flush Door differs slightly from that of the window, as we have to use a discreet diagonal weld to provide the extra strength required by larger glass units. Every effort has been made to ensure that this does not detract from the overall style, making Timberlook the ideal solution for your whole project.

Dummy sashes have been designed to match the sightlines of the French Door set, offering a much more traditional option for wide apertures than a bi-folding door. All doors must open out but can be fitted with astragal bars, while taller apertures can feature a fanlight in their design.

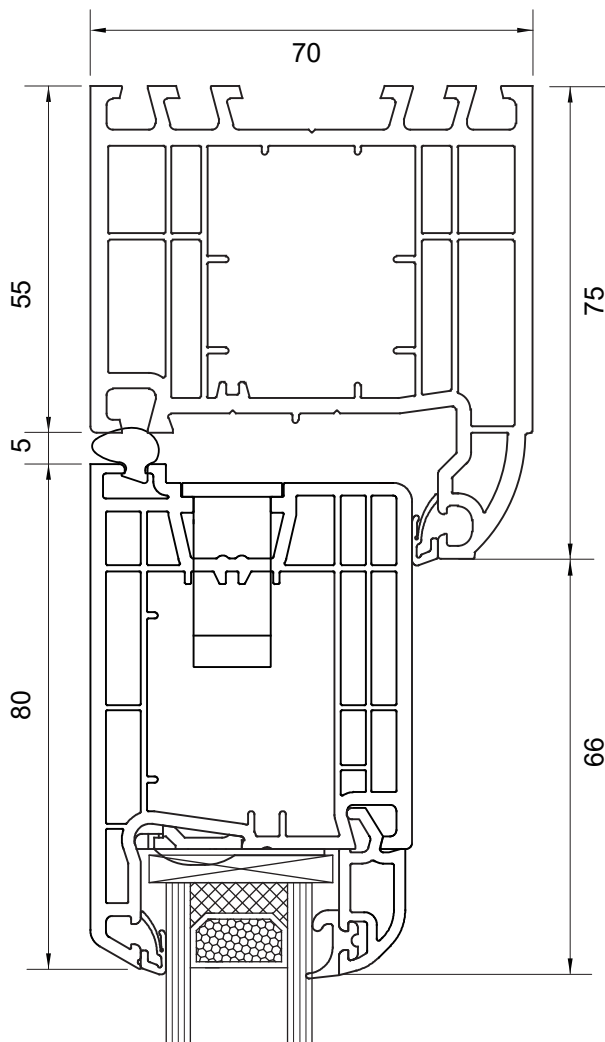


SINGLE AND FLUSH FRENCH DOORS *Section Details*

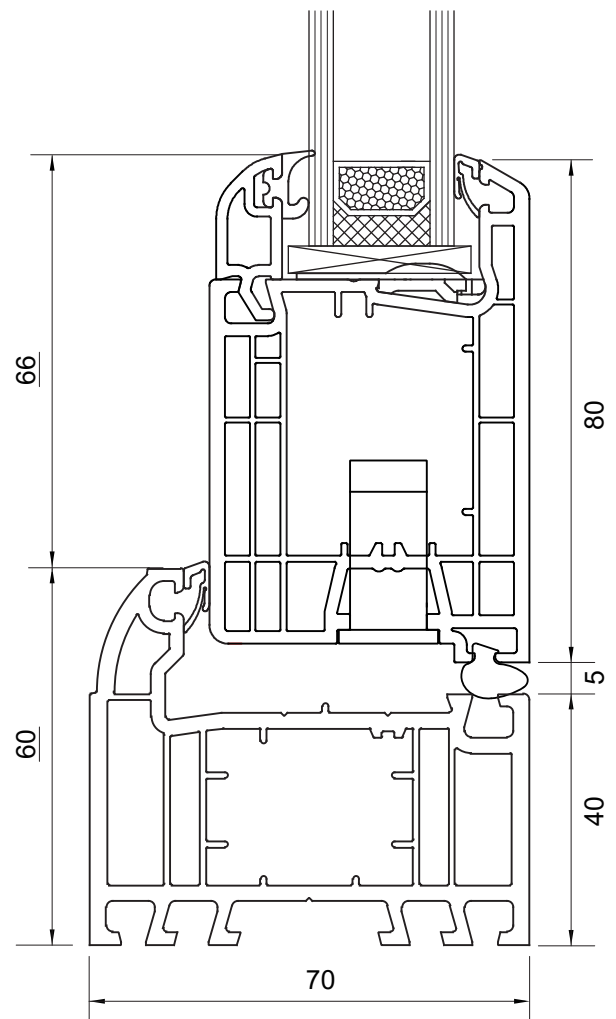
To achieve an even more authentic finish for sets of French doors that feature side panels, we intentionally use a deeper section to both the head and the cill.

The resulting effect is that glass heights are all equal, providing a much more consistent sightline. The overall appearance is the same as traditional doors that are made from timber.

Head & and Side Section Detail



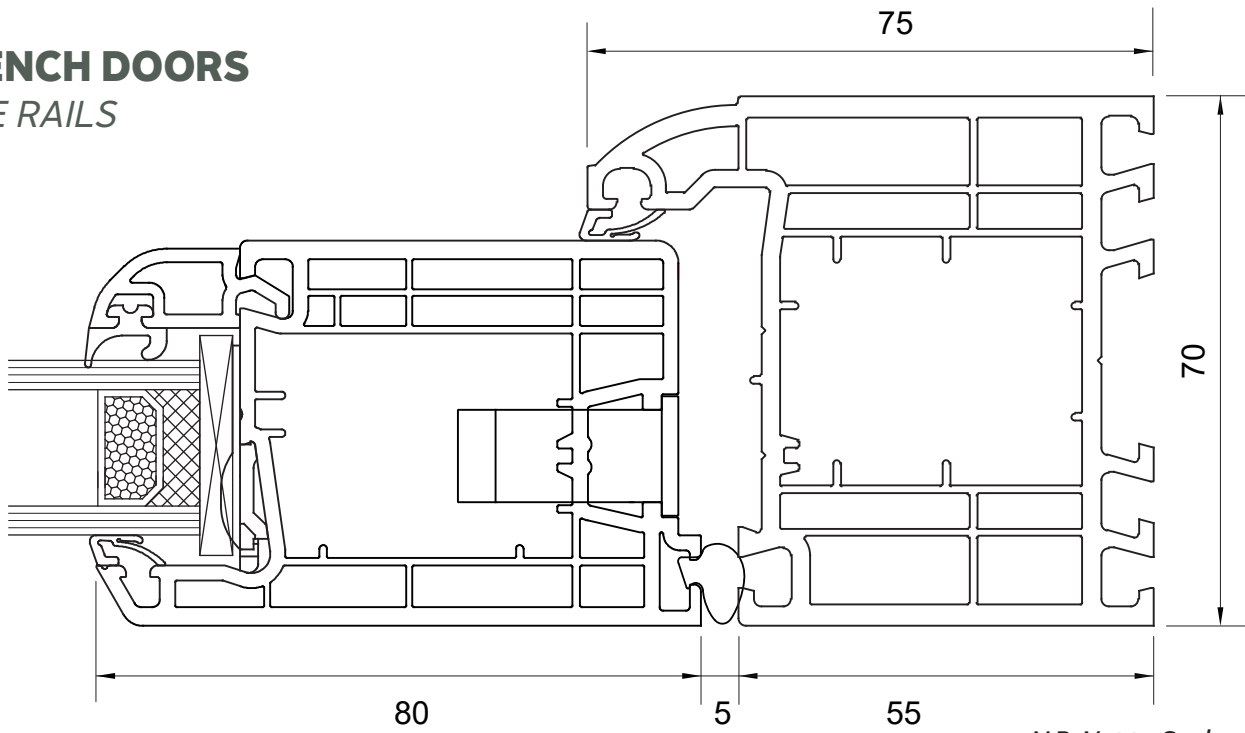
Bottom Section Detail



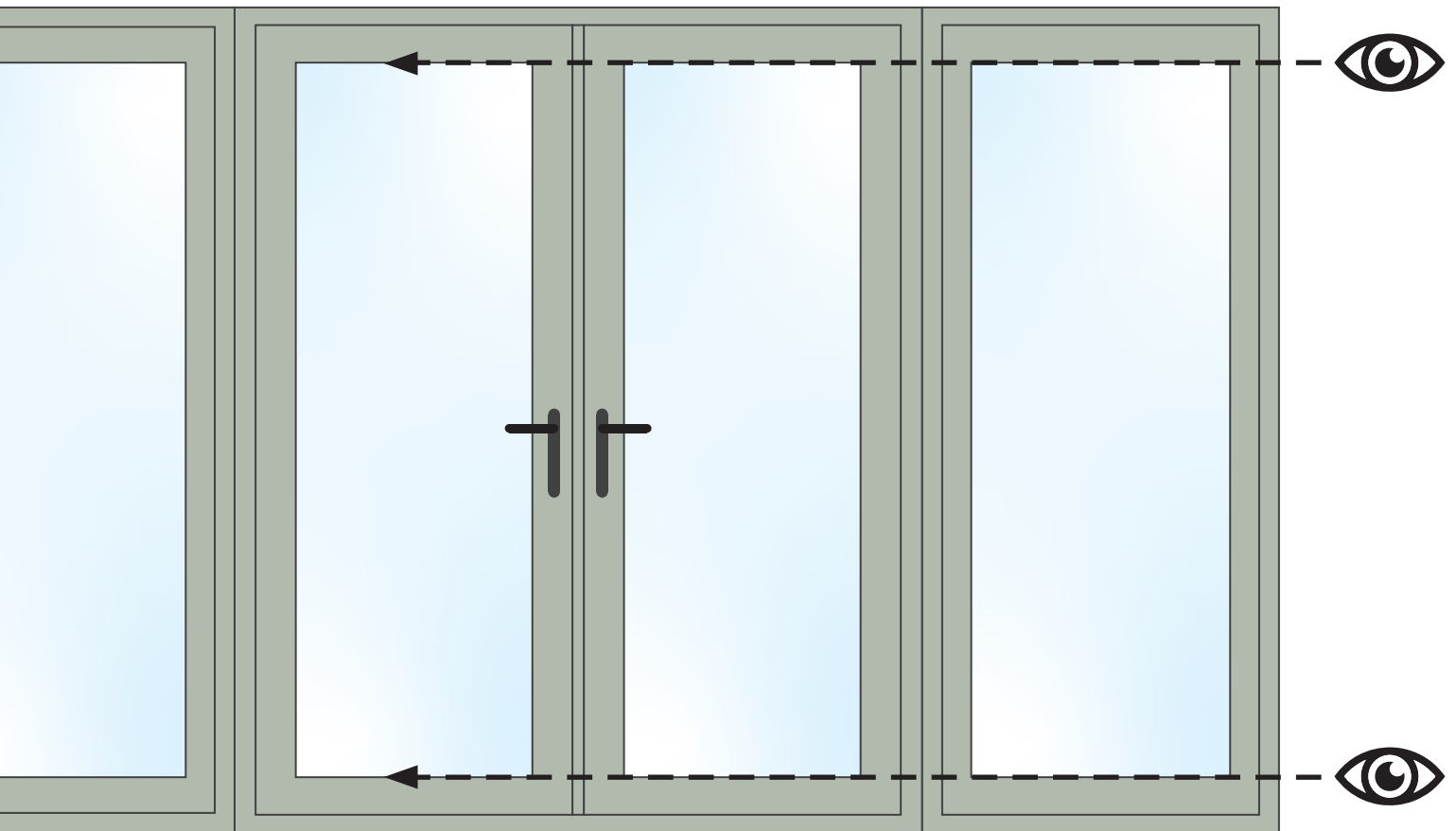
N.B. Not to Scale

FRENCH DOORS

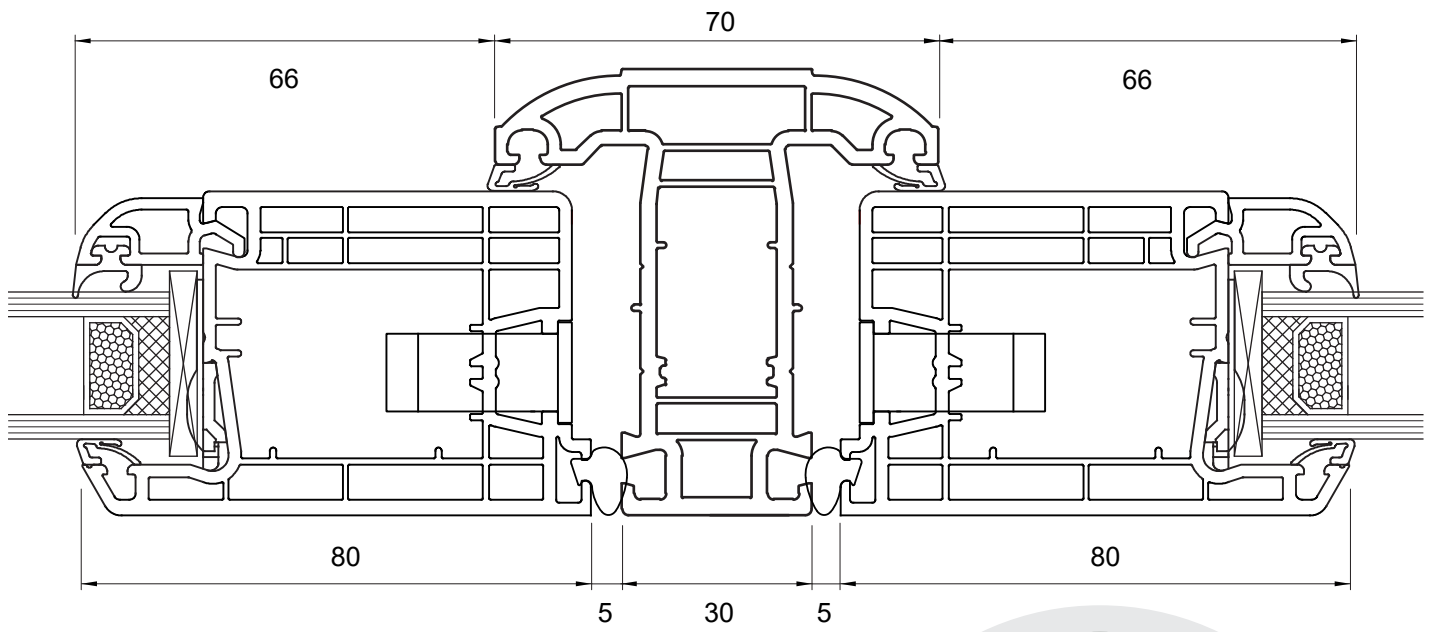
SIDE RAILS



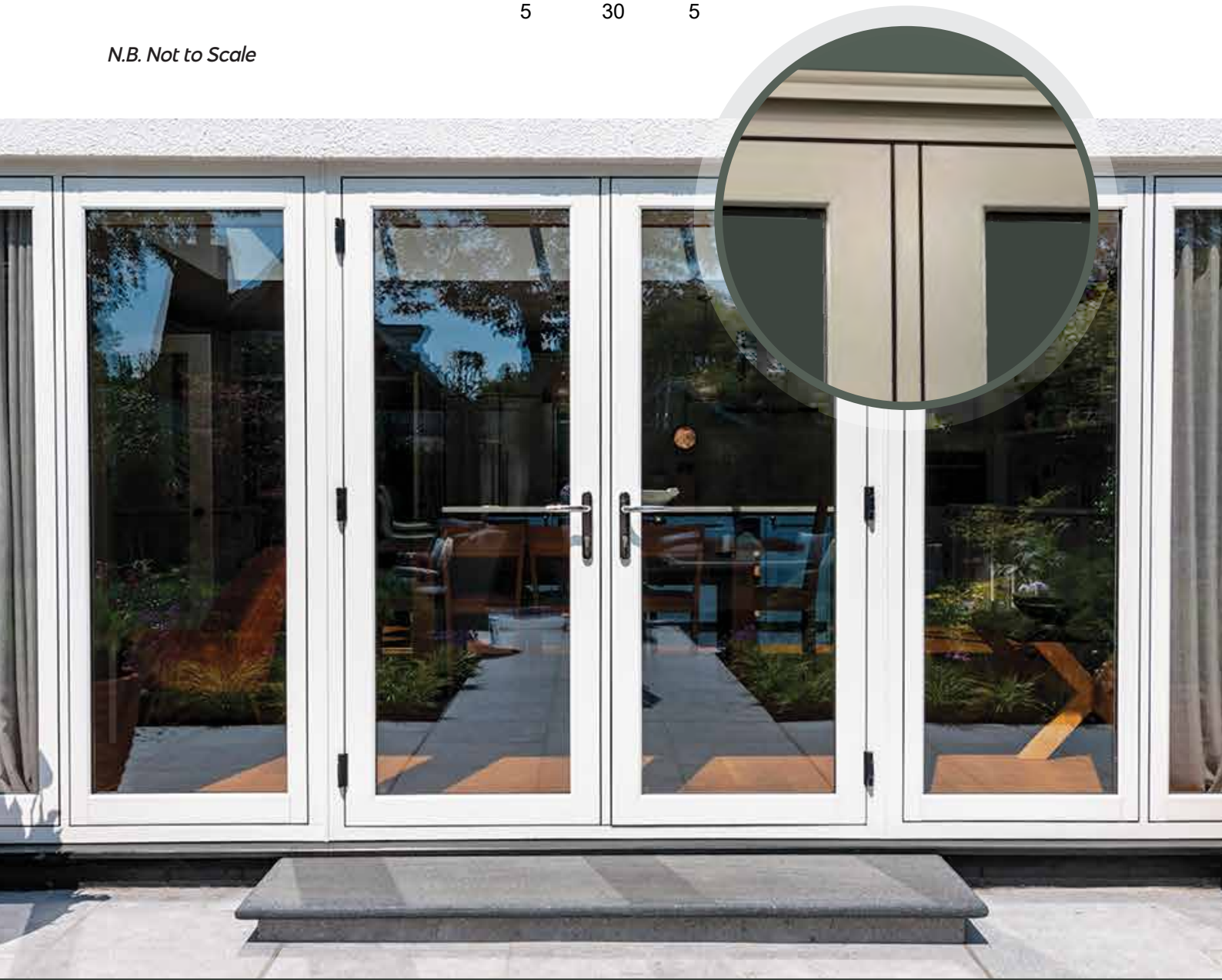
Equal Sightlines



FRENCH DOORS MULLION



N.B. Not to Scale

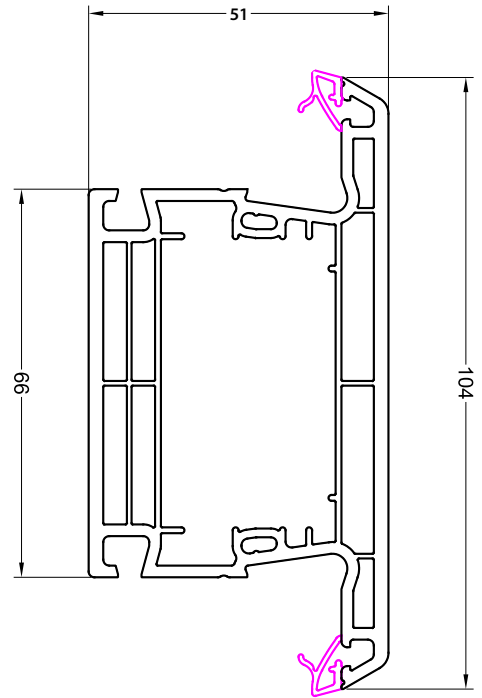


NEW!

FLUSH DOOR MIDRAIL SECTION

Introducing our latest update to the Timberlook Flush Sash Range: The Midrail.

Traditional timber doors often feature a midrail section to divide the door, adding structural integrity and classic styling. To maintain this authentic aesthetic, the new Timberlook midrail section has been carefully designed with a mechanical joint, ensuring a seamless match with heritage and period properties. This addition completes the Timberlook flush door range, allowing specifiers to achieve authenticity without compromising modern performance.



DOCUMENT Q AND PAS 24

Timberlook windows can be specified to the latest **Document Q** standards and have also passed independent testing to gain **PAS24 certification** with uprated glass and hardware.

BFRC Rating = 218.6g_{window} - 68.5 x (U_{window} + Effective L₅₀) =	1.79
Climate zone is:	UK

Thermal transmittance, W/(m²·K)	U_{window}	1.4
Solar factor	g_{window}	0.45
Window air leakage heat loss, W/(m²·K)	L_{factor}	0.01

(Specify uprated glass/hardware when ordering.)

BFRC Rating kWh/(m ² ·yr)	Label index	EWER Rating Scale	Window Rating
≥10	2	A+	A
0 to <10 ⇐		⇐ A ⇐	
-10 to <0		B	
-20 to <-10		C	
-30 to <-20		D	
-50 to <-30		E	
-70 to <-50		F	

COLOURS & FINISHES

Available on one or both sides, Timberlook offer a range of colours & textured woodgrain foils. The lead time for manufacture varies between colours:

S - STANDARD
LEAD TIME
E - EXTENDED
LEAD TIME

	White	Polar White	Black Foil	Irish Oak	Anthracite Foil	Smooth Anthracite	Chartwell Green	Cream Foil	Rosewood	Painswick	Golden Oak (E)	
COLOUR INSIDE	S	S	S	E	S	S	S	S	S	S	S	White
	n/a	S	E	E	E	E	E	E	E	S	E	Polar White
	n/a	n/a	E	n/a	n/a	n/a	n/a	n/a	n/a	n/a	n/a	Black Foil
	n/a	n/a	n/a	E	n/a	n/a	n/a	n/a	n/a	n/a	n/a	Irish Oak
	n/a	n/a	n/a	n/a	S	n/a	n/a	n/a	n/a	n/a	n/a	Anthracite Foil
	n/a	n/a	n/a	n/a	n/a	S	n/a	n/a	n/a	n/a	n/a	Smooth Anthracite
	n/a	n/a	n/a	n/a	n/a	n/a	n/a	n/a	n/a	n/a	n/a	Chartwell Green
	n/a	n/a	n/a	n/a	n/a	n/a	n/a	S	n/a	n/a	n/a	Cream Foil
	n/a	n/a	n/a	n/a	n/a	n/a	n/a	n/a	S	n/a	n/a	Rosewood
	n/a	n/a	n/a	n/a	n/a	n/a	n/a	n/a	n/a	S	n/a	Painswick
	n/a	n/a	n/a	n/a	n/a	n/a	n/a	n/a	n/a	n/a	E	Golden Oak (E)
		COLOUR OUTSIDE										

White	Anthracite (WOODGRAIN)
Polar White	Anthracite (SMOOTH)
Cream Foil	Black Foil
Irish Oak	Chartwell Green
Golden Oak	Painswick
Rosewood	Pebble Grey

HARDWARE & ACCESSORIES

Standard Handles

Timberlook windows and doors are supplied with modern handles as standard – they are available in a selection of popular finishes:



Premium Regency Handles

(Optional Addition)

We also offer a range of traditional hardware to enhance the heritage aesthetic of Timberlook Windows. These *Premium Regency* handles feature timeless designs that complement the Flush Sash windows while remaining practical, secure, and easy to use.

The Monkeytail

The distinctive curly shape adds instant character and charm to both heritage and contemporary projects.

- Overall Length: 149mm
- Handle Length: 129mm
- Fixing Plate Size: 57 x 18 x 13mm
- Espagnolette Gearbox & Lock

The Peardrop

This timeless design is suitable for a range of settings. Easy to use handles with beautiful period proportions.

- Overall Length: 150mm
- Handle Length: 130mm
- Fixing Plate Size: 57 x 18 x 13mm
- Espagnolette Gearbox & Lock

Intelligent Designs

An edge-to-edge screw cover with authentic, clocked screw design that simply pushes to fit.

Windows open and close with a push button and beautiful rosette key that operates the dead lock.

Accessories

Matching *dummy* peg-stays complete the look, giving modern windows an older appearance.

Modern Classics

Choice of two textured finishes.

HERITAGE BLACK PEWTER PATINA



TIMBERLOOK FLUSH SASH

Timberlook Flush Sash Windows and Doors are an ideal choice for anybody undertaking renovation or conservation projects, new build homes, or simply replacing windows.

Our flush sash window system replicates traditional wooden windows in modern uPVC and features an authentic looking 'butt joint' mortise and tenon joining system. It was developed for period, character, and historic projects, but is a suitable alternative for modern and new build developments in conservation areas too.

Our energy-efficient and maintenance-free flush casement windows are designed for modern living. Timberlook can be specified to Document Q, and is certified to PAS24 with uprated glass and hardware. Installations are made faster, easier, and safer than with other flush systems - it has a 70mm frame depth and glass units are supplied separately.

www.timberlook.com